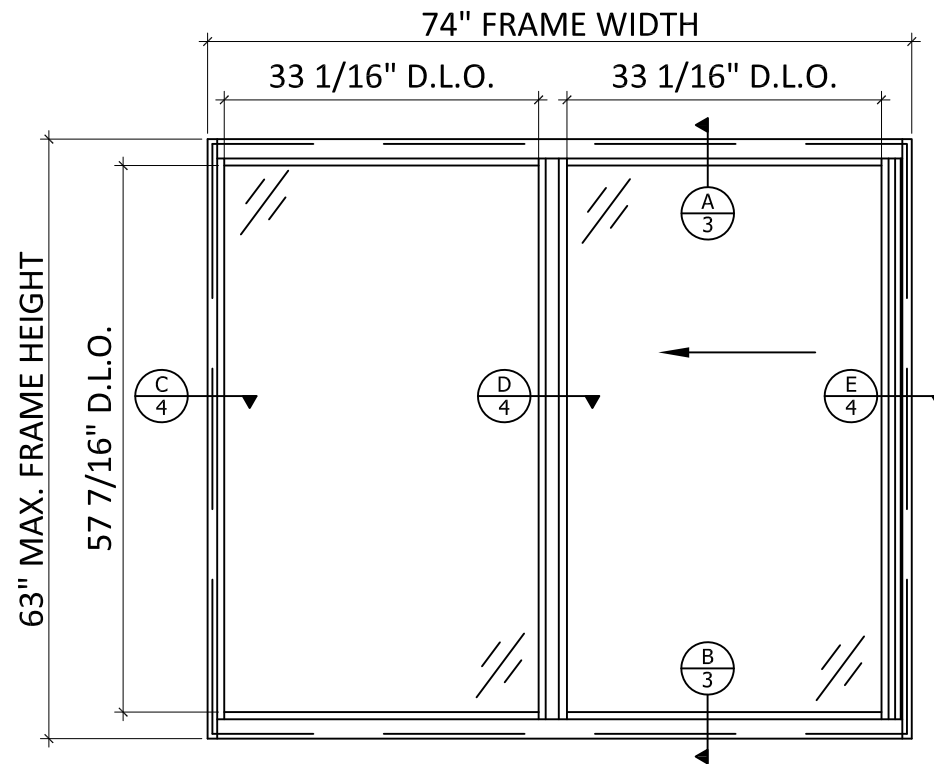


AIR MASTER WINDOWS AND DOORS

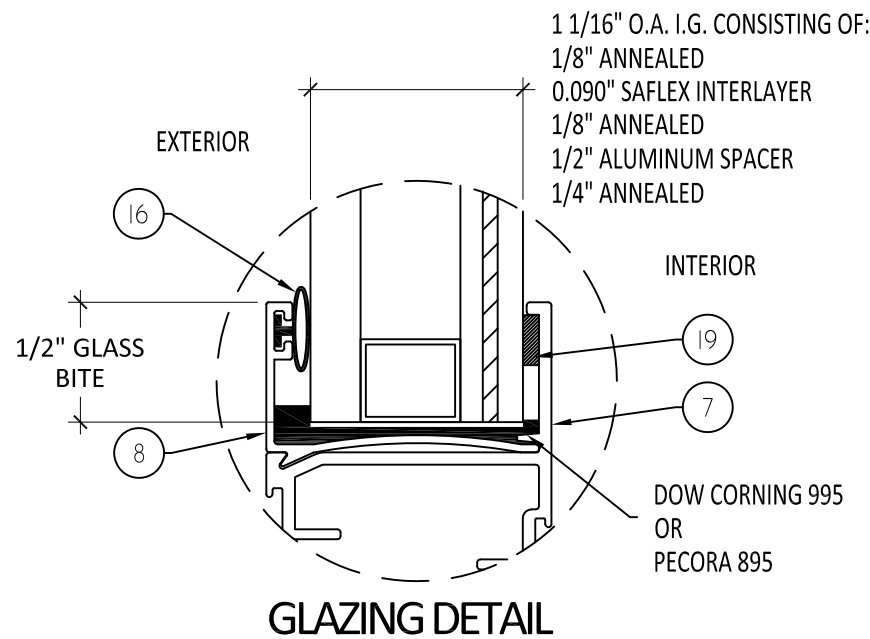
ROLLING WINDOW WITH INSULATED GLASS (HVHZ) (IMPACT)

GENERAL NOTES:

1. THE PRODUCT SHOWN HEREIN IS DESIGNED AND MANUFACTURED TO COMPLY WITH THE CURRENT FLORIDA BUILDING CODE (FBC), INCLUDING HVHZ AND HAS BEEN EVALUATED ACCORDING TO THE FOLLOWING:
 - TAS 201-94
 - TAS 202-94
 - TAS 203-94
2. ADEQUACY OF THE EXISTING STRUCTURAL CONCRETE/MASONRY, STEEL, AND 2X FRAMING AS A MAIN WIND FORCE RESISTING SYSTEM CAPABLE OF WITHSTANDING AND TRANSFERRING APPLIED PRODUCT LOADS TO THE FOUNDATION IS THE RESPONSIBILITY OF THE ENGINEER OR ARCHITECT OF RECORD FOR THE PROJECT OF INSTALLATION.
3. 1X AND 2X BUCKS (WHEN USED) SHALL BE DESIGNED AND ANCHORED TO PROPERLY TRANSFER ALL LOADS TO THE STRUCTURE. BUCK DESIGN AND INSTALLATION IS THE RESPONSIBILITY OF THE ENGINEER OR ARCHITECT OF RECORD FOR THE PROJECT OF INSTALLATION.
4. THE INSTALLATION DETAILS DESCRIBED HEREIN ARE GENERIC AND MAY NOT REFLECT ACTUAL CONDITIONS FOR A SPECIFIC SITE. IF SITE CONDITIONS CAUSE INSTALLATION TO DEVIATE FROM THE REQUIREMENTS DETAILED HEREIN, A LICENSED ENGINEER OR ARCHITECT SHALL PREPARE SITE SPECIFIC DOCUMENTS FOR USE WITH THIS DOCUMENT IN NON-HVHZ AREAS. IN HVHZ AREAS, ONE TIME PRODUCT APPROVAL TO BE OBTAINED FROM MIAMI-DADE RER.
5. APPROVED IMPACT PROTECTIVE SYSTEM **IS NOT REQUIRED** ON THIS PRODUCT IN AREAS REQUIRING IMPACT RESISTANCE.
6. WINDOW FRAME MATERIAL: ALUMINUM 6063-T5
7. DISSIMILAR METALS INCLUDING FASTENERS THAT MAY COME INTO CONTACT WITH ALUMINUM UNIT FRAMING SHALL BE PROTECTED IN ACCORDANCE WITH THE FBC.
8. GLASS MEETS THE REQUIREMENTS OF ASTM E1300.



ROLLING WINDOW WITH INSULATED GLASS
EXTERIOR ELEVATION VIEW



1 1/16" O.A. I.G. CONSISTING OF:
 1/8" ANNEALED
 0.090" SAFLEX INTERLAYER
 1/8" ANNEALED
 1/2" ALUMINUM SPACER
 1/4" ANNEALED

| DESIGN PRESSURE RATING | | |
|------------------------|-----------------|-----------------------|
| OVERALL SIZE | DESIGN PRESSURE | MISSILE IMPACT RATING |
| 74" X 63" | +/- 70.0 PSF | LARGE MISSILE IMPACT |

| TABLE OF CONTENTS | |
|-------------------|---|
| SHEET | SHEET DESCRIPTION |
| 1 | ELEVATION, GENERAL NOTES AND GLAZING DETAIL |
| 2 | ANCHOR LOCATIONS |
| 3 | VERTICAL SECTIONS |
| 4 | HORIZONTAL SECTIONS |
| 5 | COMPONENTS AND BILL OF MATERIALS |

PREPARED BY:



BUILDING DROPS, INC.
 398 E. DANIA BEACH BLVD., STE. 338
 DANIA BEACH, FL 33004
 PH: (954)399-8478
 FAX: (954)744.4738
 WEB: www.buildingdrops.com

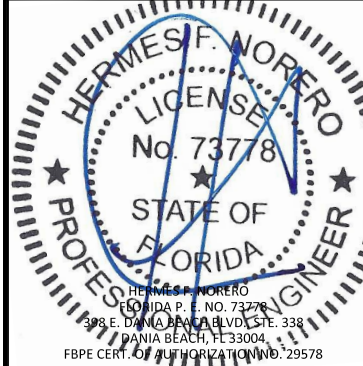
TITLE: AIR MASTER ROLLING WINDOW WITH INSULATED GLASS (HVHZ) (IMPACT)
 ELEVATIONS, GENERAL NOTES AND GLAZING DETAIL

P.O. BOX 2097
 BARCELONETA, PR 00617
 WWW.AIRMASTER.COM
 PH: (787)846-2110
 FAX: (787)623-0085



| REMARKS | BY | DATE |
|---------|----|------|
| | | |
| | | |
| | | |

THE INSTALLATION DETAILS DESCRIBED HERE IN ARE GENERIC AND MAY NOT REFLECT ACTUAL CONDITIONS FOR A SPECIFIC SITE. IF SITE CONDITIONS CAUSE INSTALLATION TO DEVIATE FROM THE REQUIREMENTS DETAILED HEREIN, A LICENSED ENGINEER OR ARCHITECT SHALL PREPARE SITE SPECIFIC DOCUMENTS FOR USE WITH THIS DOCUMENT.



FL21037

DATE: 07/20/16

DWG. BY: SM CHK. BY: HFN

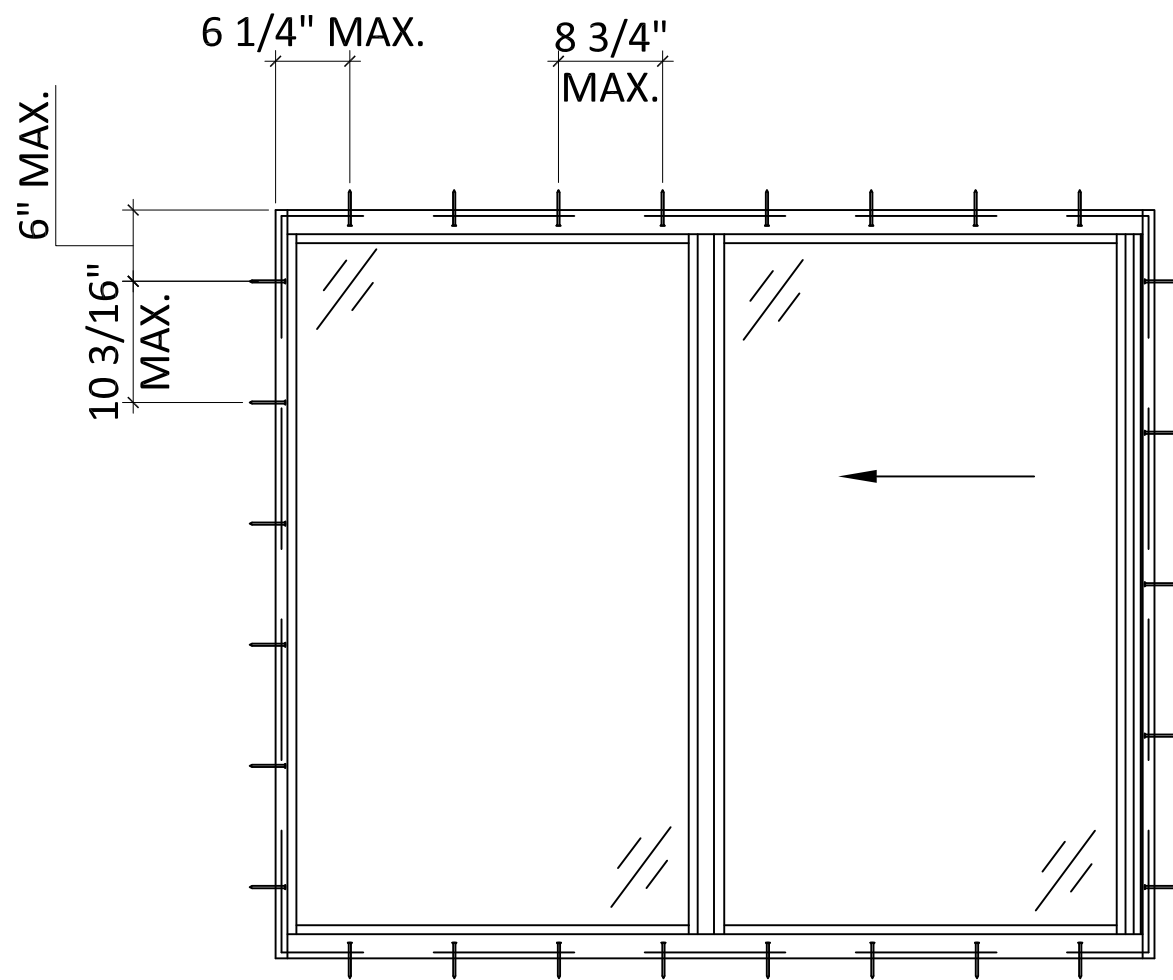
SCALE: NTS

DWG. #: AIR009

SHEET: 1 OF 5

1

s:\projects\air-master-windows & doors\cc-20-1036 - fbc 2020 (ver. 7) code change\dwg\121037-rt\air-master-rolling-window.dwg 12/19/2020 6:21 PM



ROLLING WINDOW WITH INSULATED GLASS
EXTERIOR VIEW

INSTALLATION NOTES:

1. ONE (1) INSTALLATION ANCHOR FOR EACH ANCHOR LOCATION SHOWN.
2. THE NUMBER OF INSTALLATION ANCHORS DEPICTED IS THE MINIMUM NUMBER OF ANCHORS TO BE USED FOR PRODUCT INSTALLATION.
3. INSTALL INDIVIDUAL INSTALLATION ANCHORS WITHIN A TOLERANCE OF ±1/2 INCH OF THE DEPICTED LOCATION IN THE ANCHOR LAYOUT DETAIL (I.E., WITHOUT CONSIDERATION OF TOLERANCES). TOLERANCES ARE NOT CUMULATIVE FROM ONE INSTALLATION ANCHOR TO THE NEXT.
4. SHIM AS REQUIRED AT EACH INSTALLATION ANCHOR WITH LOAD BEARING SHIM(S). MAXIMUM ALLOWABLE SHIM STACK TO BE 1/4 INCH. SHIM WHERE SPACE OF 1/16 INCH OR GREATER OCCURS. SHIM(S) SHALL BE CONSTRUCTED OF HIGH DENSITY PLASTIC OR BETTER.
5. FOR INSTALLATION DIRECTLY INTO CONCRETE OR MASONRY, USE 1/4" INCH DIAMETER ELCO ULTRACONS OF SUFFICIENT LENGTH TO ACHIEVE 1-1/2" INCH MINIMUM EMBEDMENT.
6. FOR INSTALLATION DIRECTLY INTO WOOD FRAME, USE #12 WOOD SCREWS OF SUFFICIENT LENGTH TO ACHIEVE 1 1/2 INCH MINIMUM EMBEDMENT.
7. MINIMUM EMBEDMENT AND EDGE DISTANCE EXCLUDE WALL FINISHES, INCLUDING BUT NOT LIMITED TO STUCCO, FOAM, BRICK VENEER, AND SIDING.
8. INSTALLATION ANCHORS AND ASSOCIATED HARDWARE MUST BE MADE OF CORROSION RESISTANT MATERIAL OR HAVE A CORROSION RESISTANT COATING.
9. FOR HOLLOW BLOCK AND GROUT FILLED BLOCK, DO NOT INSTALL INSTALLATION ANCHORS INTO MORTAR JOINTS. EDGE DISTANCE IS MEASURED FROM FREE EDGE OF BLOCK OR EDGE OF MORTAR JOINT INTO FACE SHELL OF BLOCK.
10. INSTALLATION ANCHORS SHALL BE INSTALLED IN ACCORDANCE WITH ANCHOR MANUFACTURER'S INSTALLATION INSTRUCTIONS, AND ANCHORS SHALL NOT BE USED IN SUBSTRATES WITH STRENGTHS LESS THAN THE MINIMUM STRENGTH SPECIFIED BY THE ANCHOR MANUFACTURER.
11. INSTALLATION ANCHOR CAPACITIES FOR PRODUCTS HEREIN ARE BASED ON SUBSTRATE MATERIALS WITH THE FOLLOWING PROPERTIES:
 - A. WOOD - MINIMUM SPECIFIC GRAVITY OF 0.55
 - B. CONCRETE - MINIMUM COMPRESSIVE STRENGTH OF 3000 PSI
 - C. GROUT-FILLED CMU - UNIT STRENGTH CONFORMS TO ASTM C-90 WITH MINIMUM COMPRESSIVE STRENGTH OF 2000 PSI AND GROUT CONFORMS TO ASTM C 476, MINIMUM GROUT COMPRESSIVE STRENGTH OF 2000 PSI
 - D. HOLLOW BLOCK CMU - UNIT STRENGTH CONFORMS TO ASTM C-90 WITH MINIMUM COMPRESSIVE STRENGTH OF 2000 PSI

PREPARED BY:



BUILDING DROPS, INC.

398 E. DANIA BEACH BLVD., STE. 338
DANIA BEACH, FL 33004
PH: (954)399-8478
FAX: (954)744.4738
WEB: www.buildingdrops.com

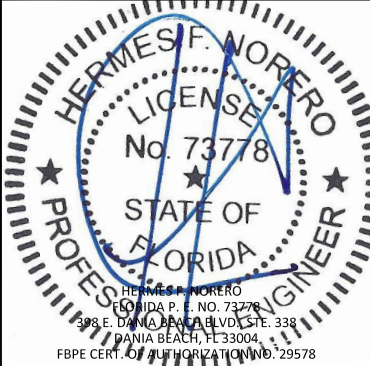
TITLE: AIR MASTER ROLLING WINDOW
WITH INSULATED GLASS
(HVHZ) (IMPACT)
ANCHOR LOCATIONS

P.O. BOX 2097
BARCELONETA, PR 00617
WWW.AIRMASTERPR.COM
PH: (787)846-2110
FAX: (787)623-0085



| REMARKS | BY | DATE |
|---------|----|------|
| | | |
| | | |
| | | |

THE INSTALLATION DETAILS DESCRIBED HERE IN ARE GENERIC AND MAY NOT REFLECT ACTUAL CONDITIONS FOR A SPECIFIC SITE. IF SITE CONDITIONS CAUSE INSTALLATION TO DEVIATE FROM THE REQUIREMENTS DETAILED HEREIN, A LICENSED ENGINEER OR ARCHITECT SHALL PREPARE SITE SPECIFIC DOCUMENTS FOR USE WITH THIS DOCUMENT.



FL21037

DATE: 07/20/16

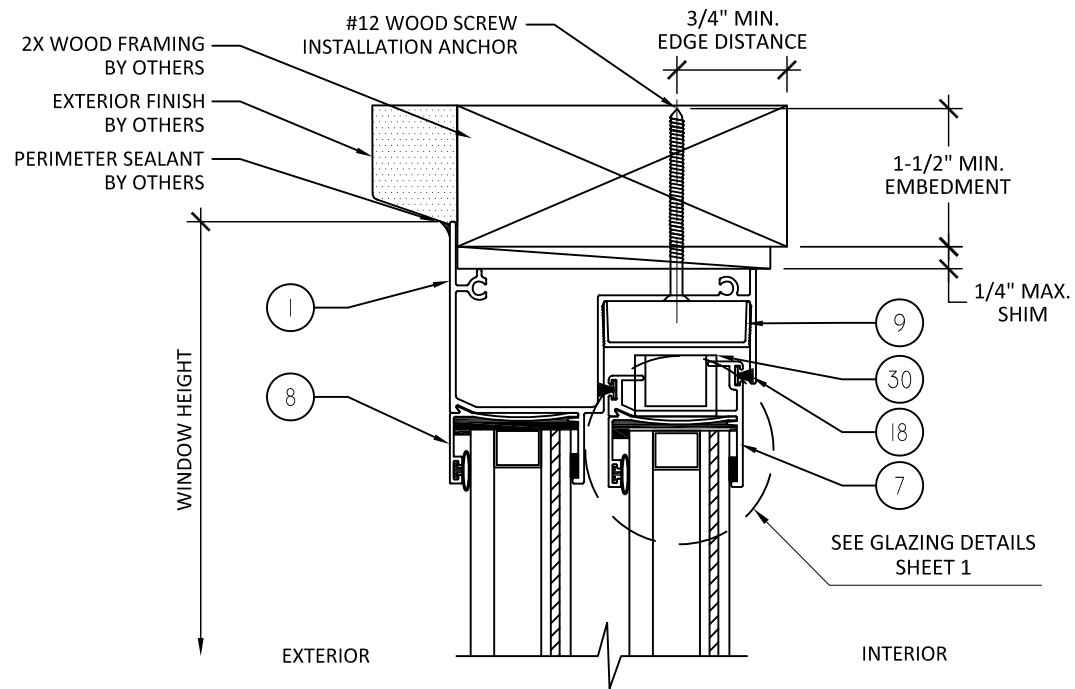
DWG. BY: SM CHK. BY: HFN

SCALE: NTS

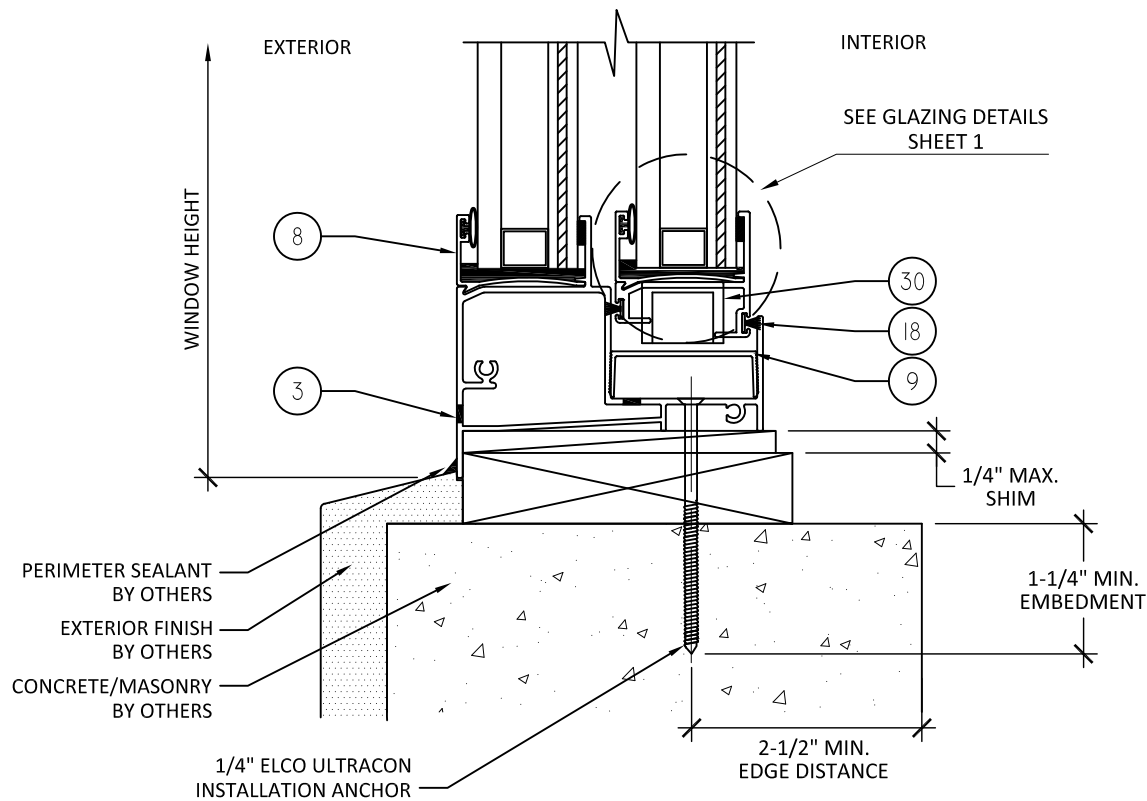
DWG. #: AIR009

SHEET: OF 5

s:\projects\air-master-windows & doors\cc-20-1036 - Fbc 2020 (ver. 7) code change.dwg\121037-r1\air-009 air-master-rolling-window.dwg 12/19/2020 6:21 PM



A
3 VERTICAL SECTION
HEAD - 2X WOOD FRAME



B
3 VERTICAL SECTION
SILL - CONCRETE/MASONRY

PREPARED BY:



BUILDING DROPS, INC.

398 E. DANIA BEACH BLVD., STE. 338
DANIA BEACH, FL 33004
PH: (954)399-8478
FAX: (954)744.4738
WEB: www.buildingdrops.com

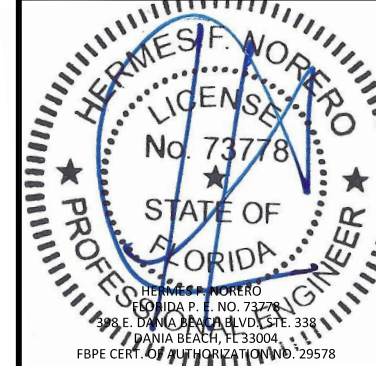
TITLE: AIR MASTER ROLLING WINDOW
WITH INSULATED GLASS
(HVHZ) (IMPACT)
VERTICAL SECTIONS

P.O. BOX 2097
BARCELONETA, PR 00617
WWW.AIRMASTERPR.COM
PH: (787)846-2110
FAX: (787)623-0085



| REMARKS | BY | DATE |
|---------|----|------|
| | | |
| | | |
| | | |

THE INSTALLATION DETAILS DESCRIBED HERE IN ARE GENERIC AND MAY NOT REFLECT ACTUAL CONDITIONS FOR A SPECIFIC SITE. IF SITE CONDITIONS CAUSE INSTALLATION TO DEVIATE FROM THE REQUIREMENTS DETAILED HEREIN, A LICENSED ENGINEER OR ARCHITECT SHALL PREPARE SITE SPECIFIC DOCUMENTS FOR USE WITH THIS DOCUMENT.



FL21037

DATE: 07/20/16

DWG. BY: SM CHK. BY: HFN

SCALE: NTS

DWG. #: AIR009

SHEET: OF 5

3

PREPARED BY:

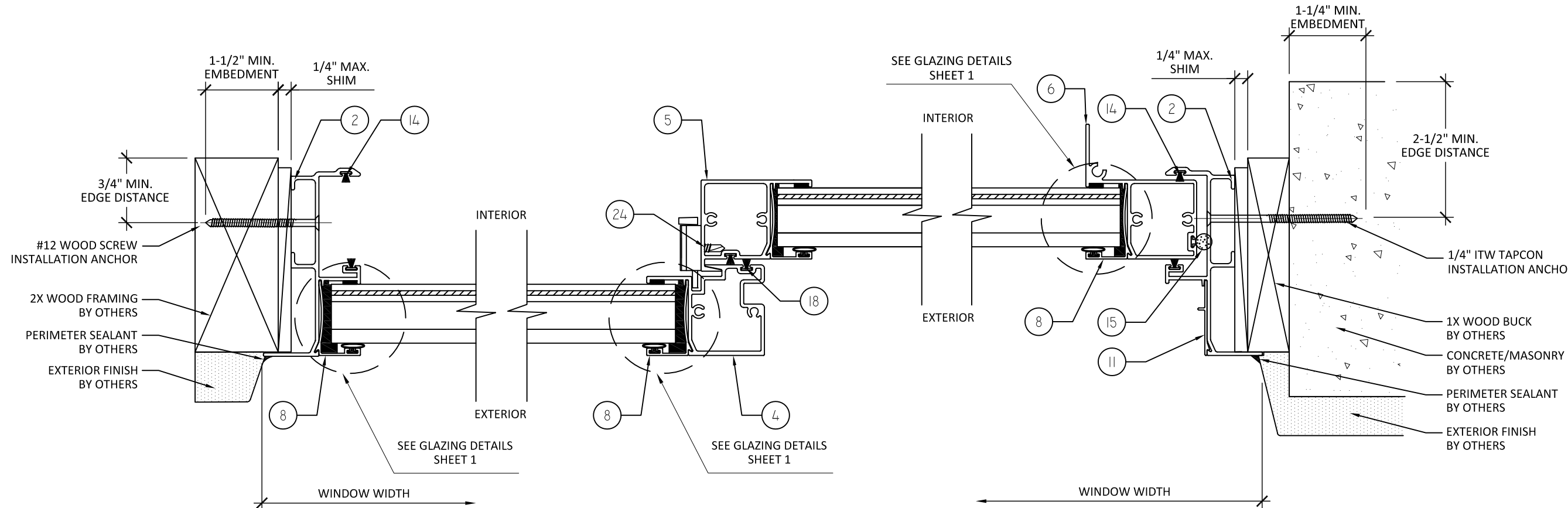


BUILDING DROPS, INC.

398 E. DANIA BEACH BLVD., STE. 338
DANIA BEACH, FL 33004
PH: (954)399-8478
FAX: (954)744.4738
WEB: www.buildingdrops.com

TITLE: AIR MASTER ROLLING WINDOW
WITH INSULATED GLASS
(HVHZ) (IMPACT)
HORIZONTAL SECTIONS

P.O. BOX 2097
BARCELONETA, PR 00617
WWW.AIRMASTER.COM
PH: (787)846-2110
FAX: (787)623-0085



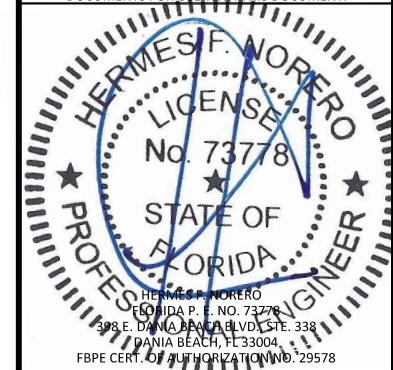
C
4 HORIZONTAL SECTION
JAMB - 2X WOOD FRAME

D
4 HORIZONTAL SECTION
INTERLOCK

E
4 HORIZONTAL SECTION
JAMB - CONCRETE/MASONRY

| REMARKS | BY | DATE |
|---------|----|------|
| | | |
| | | |
| | | |

THE INSTALLATION DETAILS DESCRIBED HERE IN ARE GENERIC AND MAY NOT REFLECT ACTUAL CONDITIONS FOR A SPECIFIC SITE. IF SITE CONDITIONS CAUSE INSTALLATION TO DEVIATE FROM THE REQUIREMENTS DETAILED HEREIN, A LICENSED ENGINEER OR ARCHITECT SHALL PREPARE SITE SPECIFIC DOCUMENTS FOR USE WITH THIS DOCUMENT.



FL21037

DATE: 07/20/16

DWG. BY: SM CHK. BY: HFN

SCALE: NTS

DWG. #: AIR009

SHEET: OF 5

4

s:\projects\air-master\windows & doors\cc-20-1036 - Fbc 2020 (ver. 7) code change\dwg\121037-rt\air-master-rolling-window.dwg 12/19/2020 6:21 PM

PREPARED BY:



BUILDING DROPS, INC.

398 E. DANIA BEACH BLVD., STE. 338
 DANIA BEACH, FL 33004
 PH: (954)399-8478
 FAX: (954)744.4738
 WEB: www.buildingdrops.com

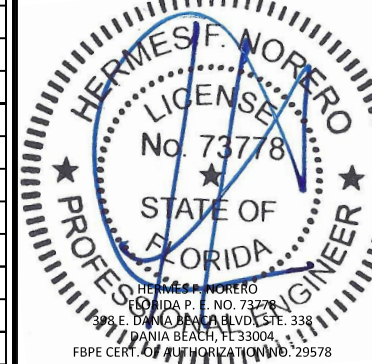
TITLE: AIR MASTER ROLLING WINDOW
 WITH INSULATED GLASS
 (HVHZ) (IMPACT)
 COMPONENTS AND BILL OF MATERIALS

P.O. BOX 2097
 BARCELONETA, PR 00617
 WWW.AIRMASTERPR.COM
 PH: (787)846-2110
 FAX: (787)623-0085



| REMARKS | BY | DATE |
|---------|----|------|
| | | |
| | | |
| | | |

THE INSTALLATION DETAILS DESCRIBED HERE IN ARE GENERIC AND MAY NOT REFLECT ACTUAL CONDITIONS FOR A SPECIFIC SITE. IF SITE CONDITIONS CAUSE INSTALLATION TO DEVIATE FROM THE REQUIREMENTS DETAILED HEREIN, A LICENSED ENGINEER OR ARCHITECT SHALL PREPARE SITE SPECIFIC DOCUMENTS FOR USE WITH THIS DOCUMENT.



FL21037

DATE: 07/20/16

DWG. BY: SM CHK. BY: HFN

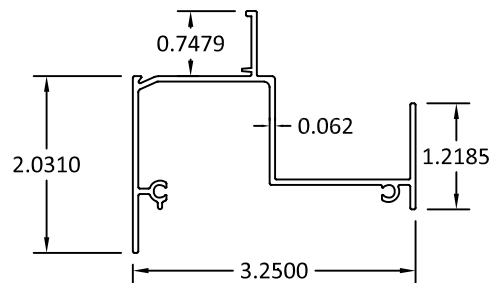
SCALE: NTS

DWG. #: AIR009

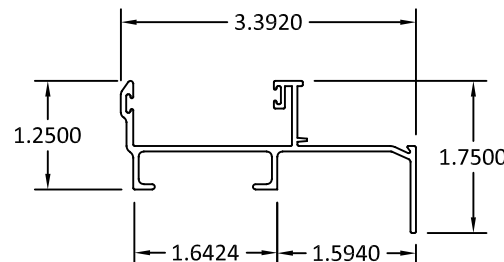
SHEET: OF 5

5

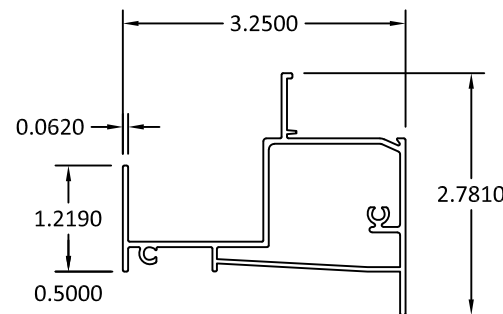
| ITEM # | PART # | ITEM DESCRIPTION | MANUFACTURER/NOTES |
|--------------------|--------|--|--------------------------|
| PARTS & EXTRUSIONS | | | |
| 1 | 22560 | FRAME HEAD W/FLANGE | GLOBAL HOLDEX / 6063-T5 |
| 2 | 22571 | FRAME JAMB W/FLANGE | GLOBAL HOLDEX / 6063-T5 |
| 3 | 22570 | FRAME SILL | GLOBAL HOLDEX / 6063-T5 |
| 4 | 22551 | FIXED MEETING | GLOBAL HOLDEX / 6063-T5 |
| 5 | 22554 | VENT TOP | GLOBAL HOLDEX / 6063-T5 |
| 6 | 22555 | VENT BOTTOM | GLOBAL HOLDEX / 6063-T5 |
| 7 | 22556 | VENT JAMB | GLOBAL HOLDEX / 6063-T5 |
| 8 | 22558 | GLASS STOP GLAZING | GLOBAL HOLDEX / 6063-T5 |
| 9 | 22573 | FRAME HEAD ADAPTER | GLOBAL HOLDEX / 6063-T5 |
| 10 | 22574 | SCREEN ADAPTER | GLOBAL HOLDEX / 6063-T5 |
| GLASS | | | |
| 13 | | INSULATED GLASS 1 1/16" | |
| | | 1/4 ANNEALED - 1/2 ALUMINUM SPACER - 1/8 ANNEALED - 0.090" SAFLEX - 1/8 ANNEALED | |
| SEALS & SEALANTS | | | |
| 14 | 22438 | WEATHERSTRIP SILL | ULTRAFAB |
| 15 | 32010 | VINYL WITH FOAM | SOUTHERN PLASTICS |
| 16 | 96936 | GOMA FP-448 BLACK | SOUTHERN PLASTICS |
| 17 | 53580 | DOW CORNING 995 STRUCTURAL SILICONE OR PECORA 895 STRUCTURAL SILICONE | CARIBBEAN SALES AGENCY |
| 18 | 96817 | FELPA #1220 VENT JAMB | ULTRAFAB |
| 19 | 96707 | DOUBLE SIDED TAPE 1/4" WIDE | 3M |
| 20 | 53601 | WEEP HOLES COVER | SLL PLASTIC |
| 21 | | | |
| 22 | | | |
| FASTENERS | | | |
| 23 | 95499 | SCR 8*3/4 PHI P/H SS T-A | LA CASA DE LOS TORNILLOS |
| 24 | 94657 | 10-32 3/4" PHI F/H S/S TECK | LA CASA DE LOS TORNILLOS |
| 25 | | | |
| 26 | | | |
| 27 | | | |
| 28 | | | |
| HARDWARE | | | |
| 29 | | CAM SASH ROLLERS | |
| 30 | 10694 | CAM SASH BUSHING | WALLY CO. |



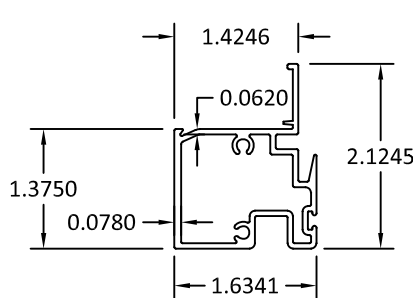
① FRAME HEAD W/ FLANGE



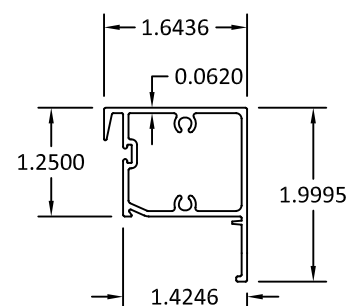
② FRAME JAMB W/ FLANGE



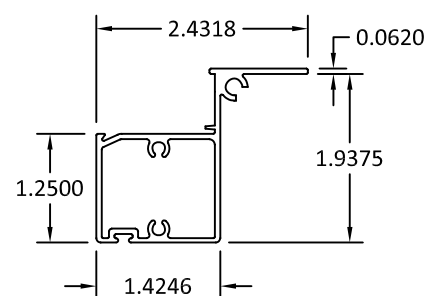
③ FRAME SILL



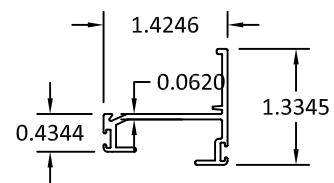
④ FIXED MEET RAIL



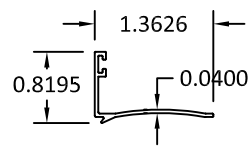
⑤ VENT TOP



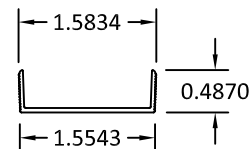
⑥ VENT BOTTOM



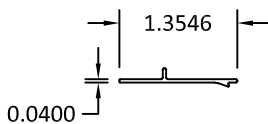
⑦ VENT JAMB



⑧ GLASS STOP



⑨ FRAME HEAD ADAPTER



⑩ SCREEN ADAPTER

s:\projects\air-master\windows & doors\cc-20-1036 - fbc-2020 (ver. 7) code change\dwg\121037-rt\air-master-rolling-window.dwg 12/19/2020 6:21 PM